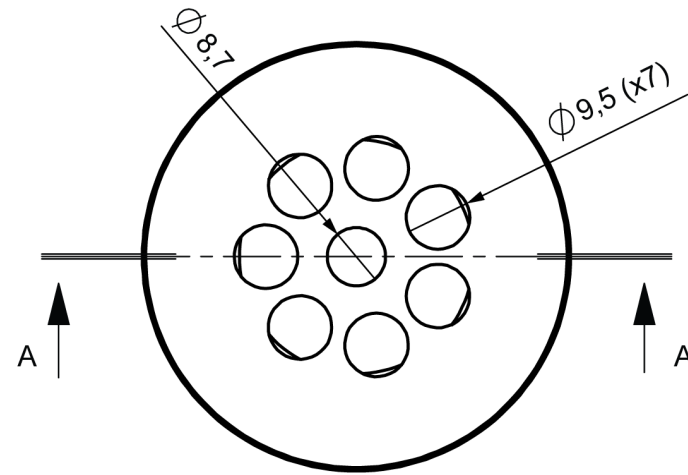
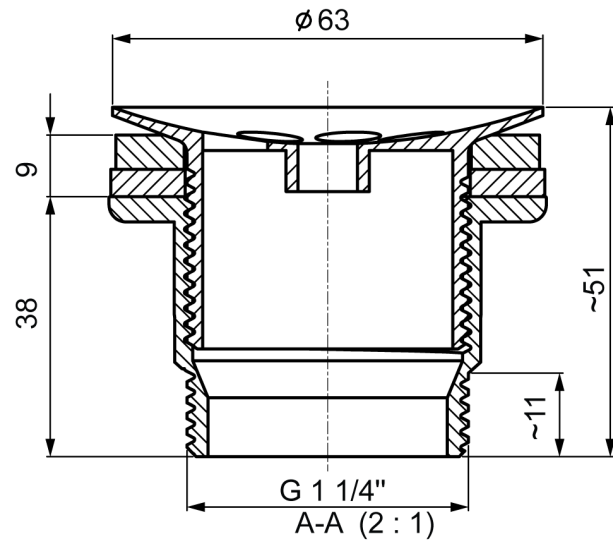


# Waste free-water for under cover (chrome)

951-0004-20



M 1:10

[www.eumardesign.com](http://www.eumardesign.com)