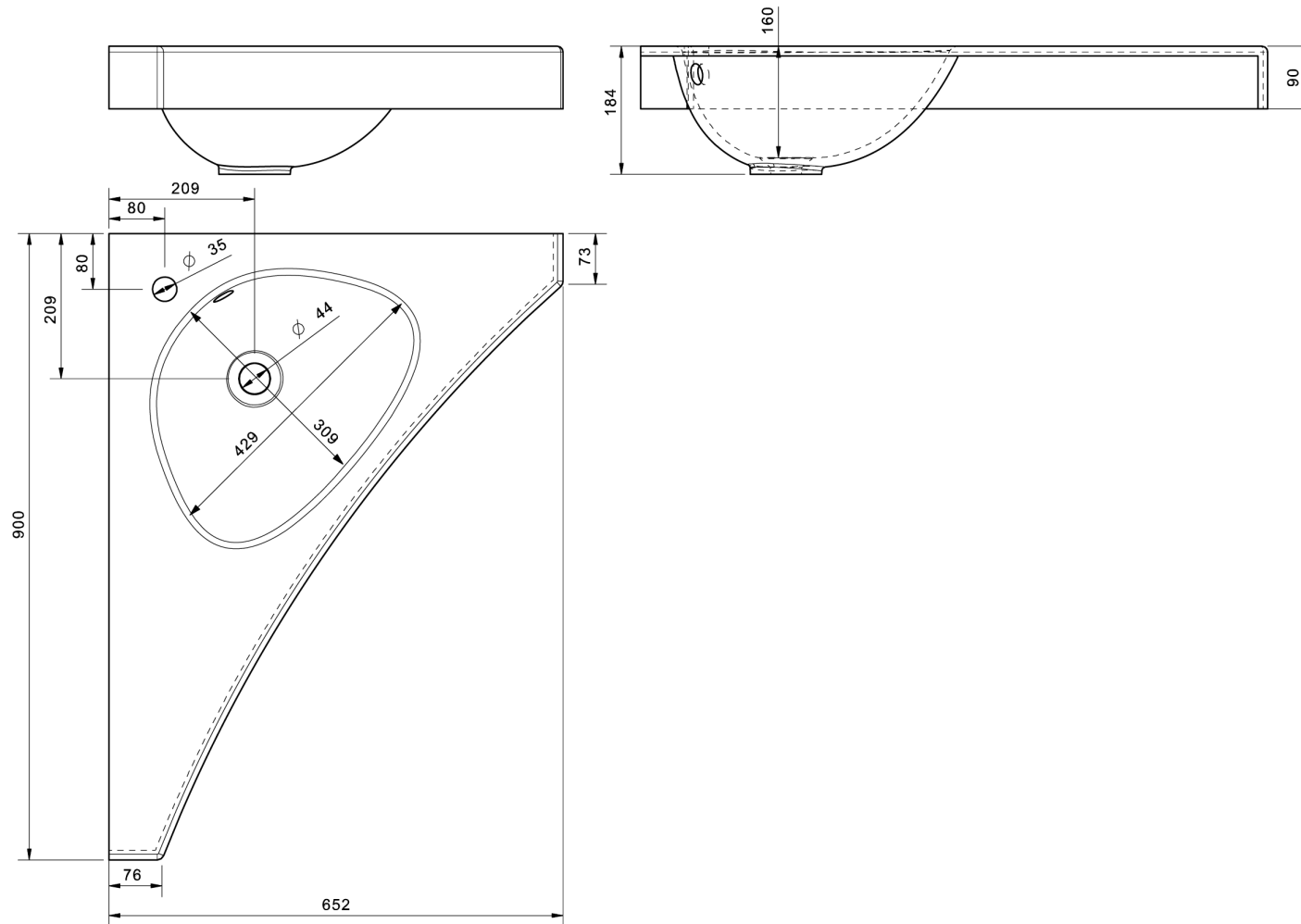


465-0907-90



M 1:10

[www.eumardesign.com](http://www.eumardesign.com)