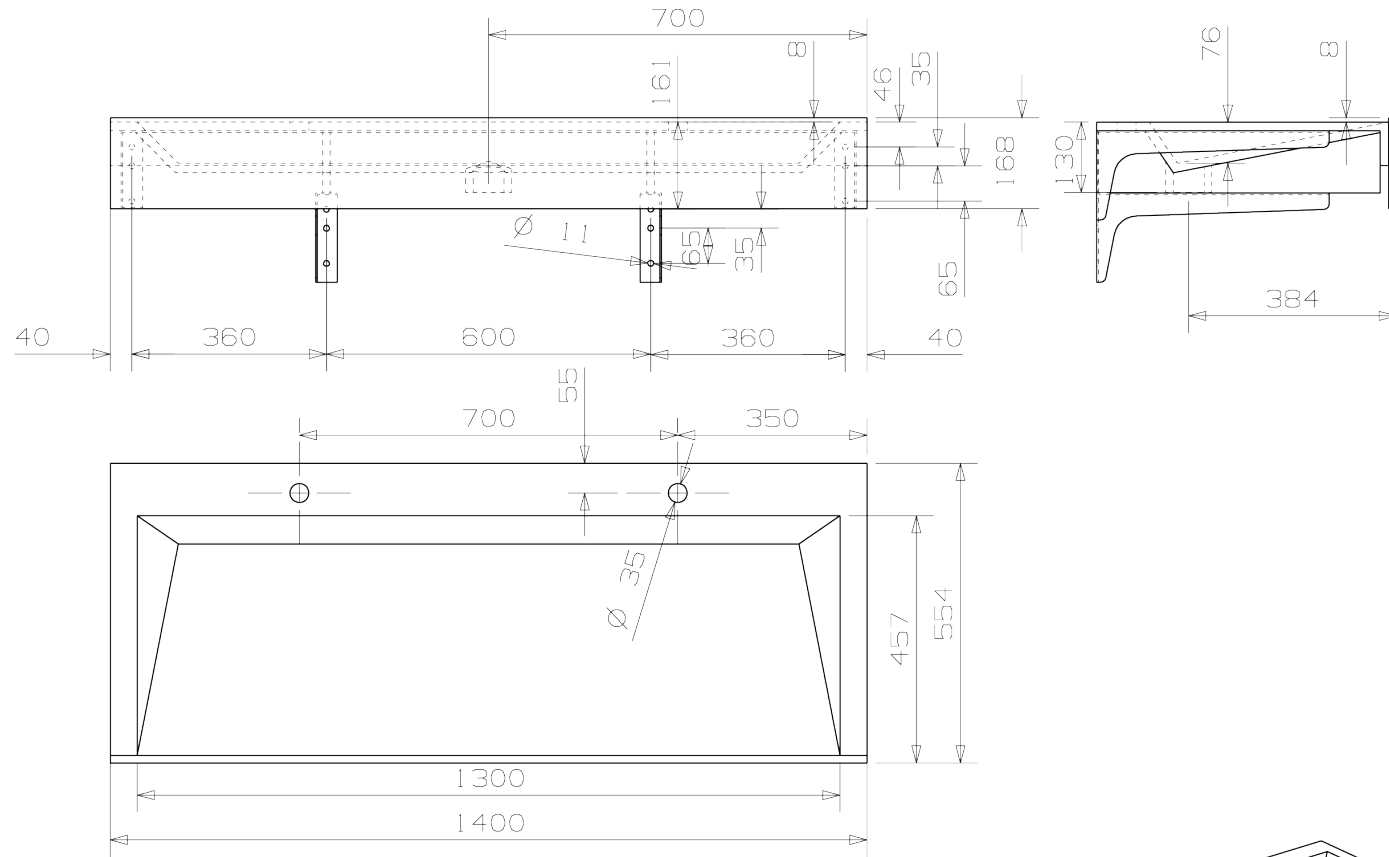
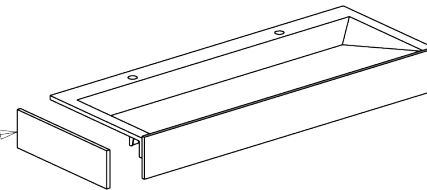


# Downtown 140c\_2 model L3 1755

468-1413-19



Side panel (optional)



M 1:10

[www.eumardesign.com](http://www.eumardesign.com)