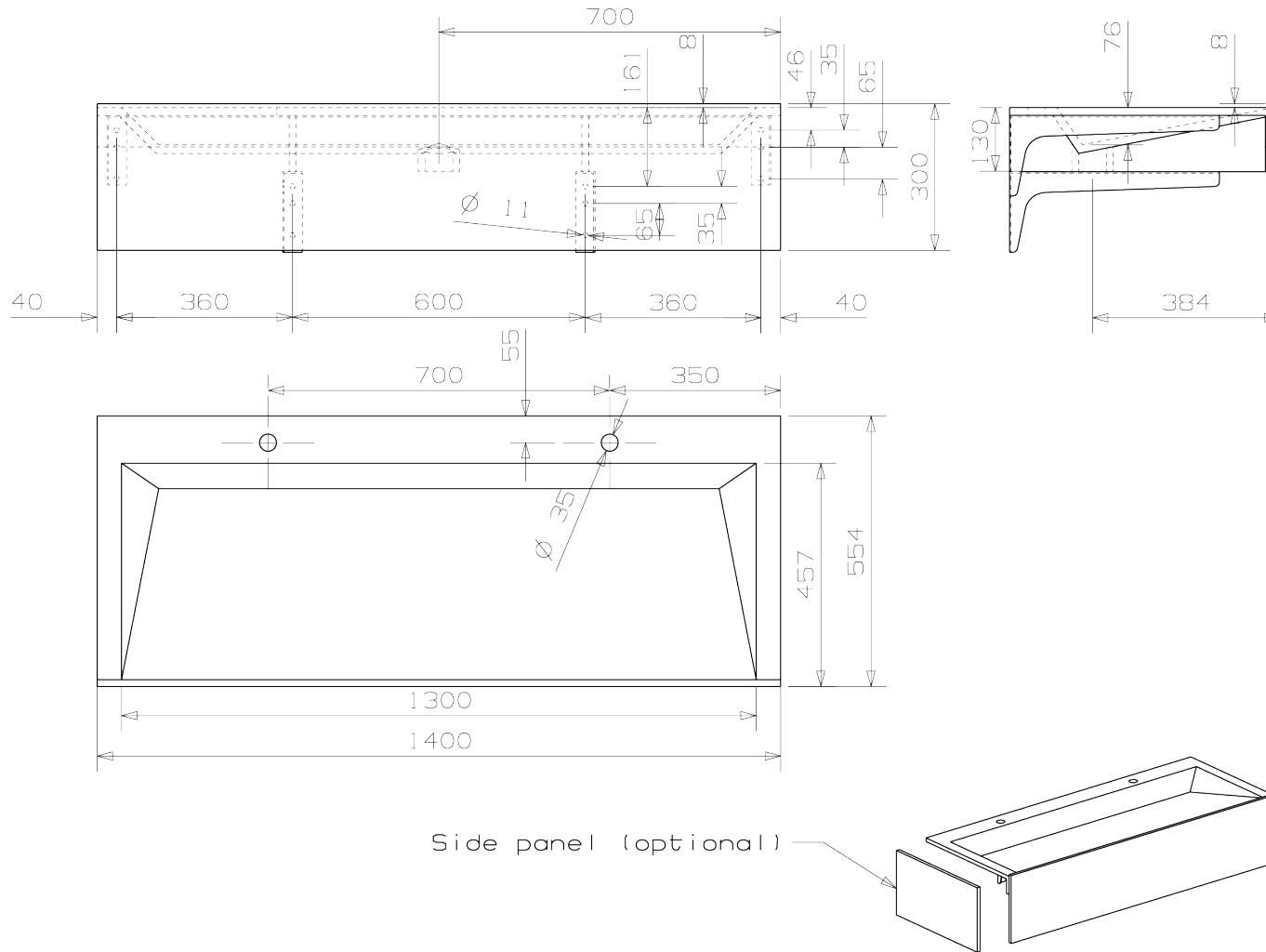


# Downtown 140c\_2 model L3 3055

468-1413-18



M 1:10

[www.eumardesign.com](http://www.eumardesign.com)