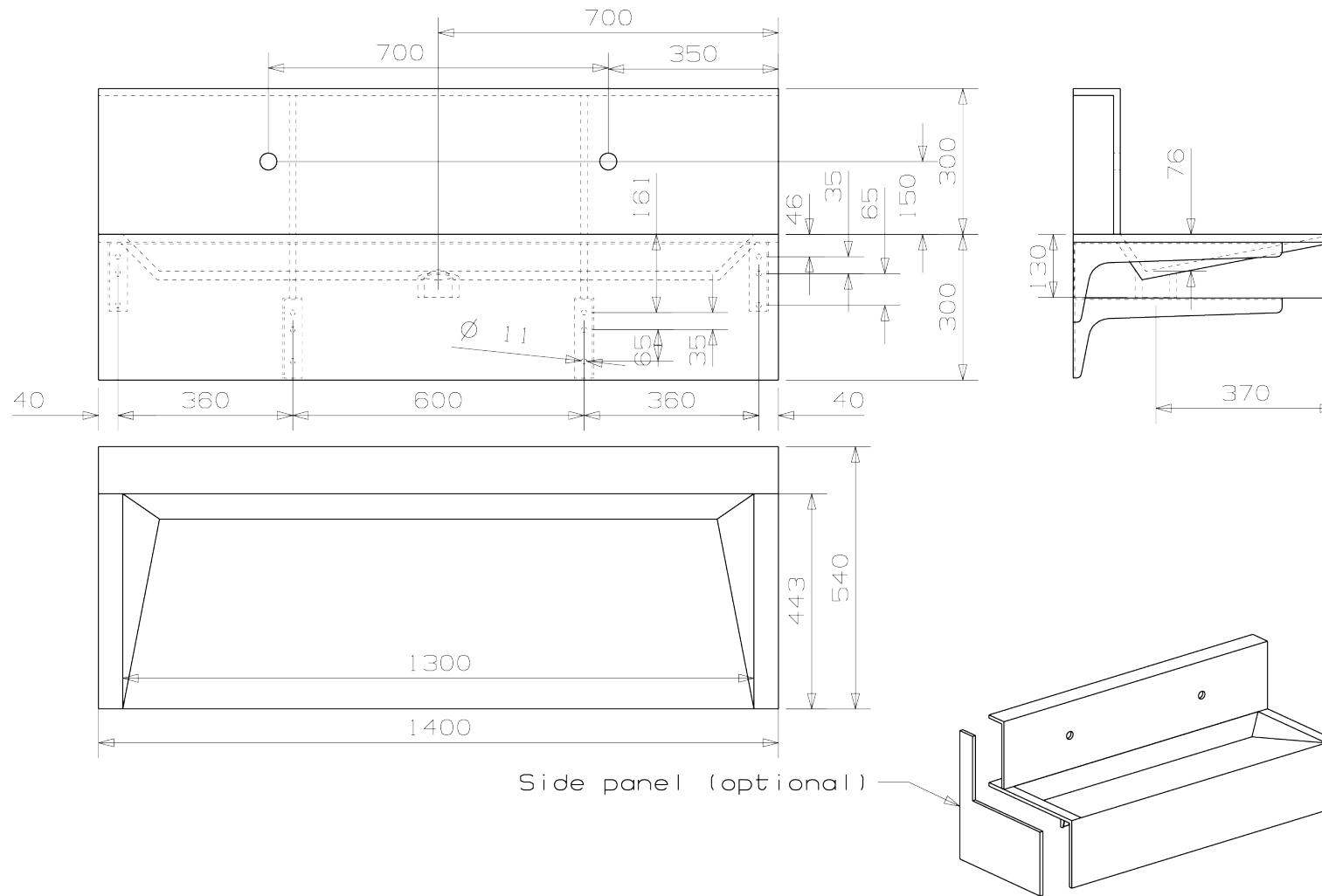


# Downtown 140c\_2 model LX 6054

468-1413-14



M 1:10

[www.eumardesign.com](http://www.eumardesign.com)