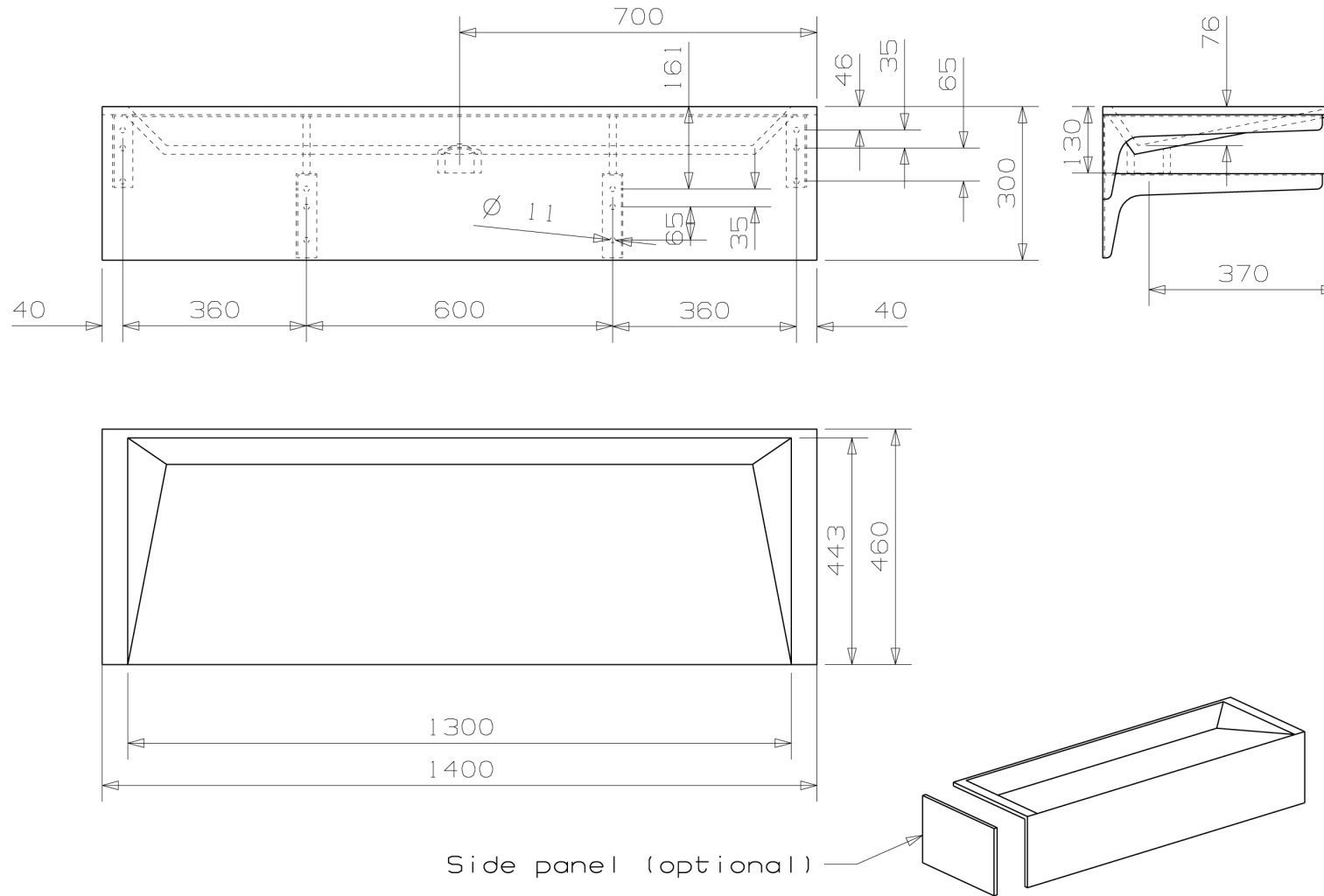


# Downtown 140c\_2 model S 3046

468-1413-12



M 1:10

[www.eumardesign.com](http://www.eumardesign.com)