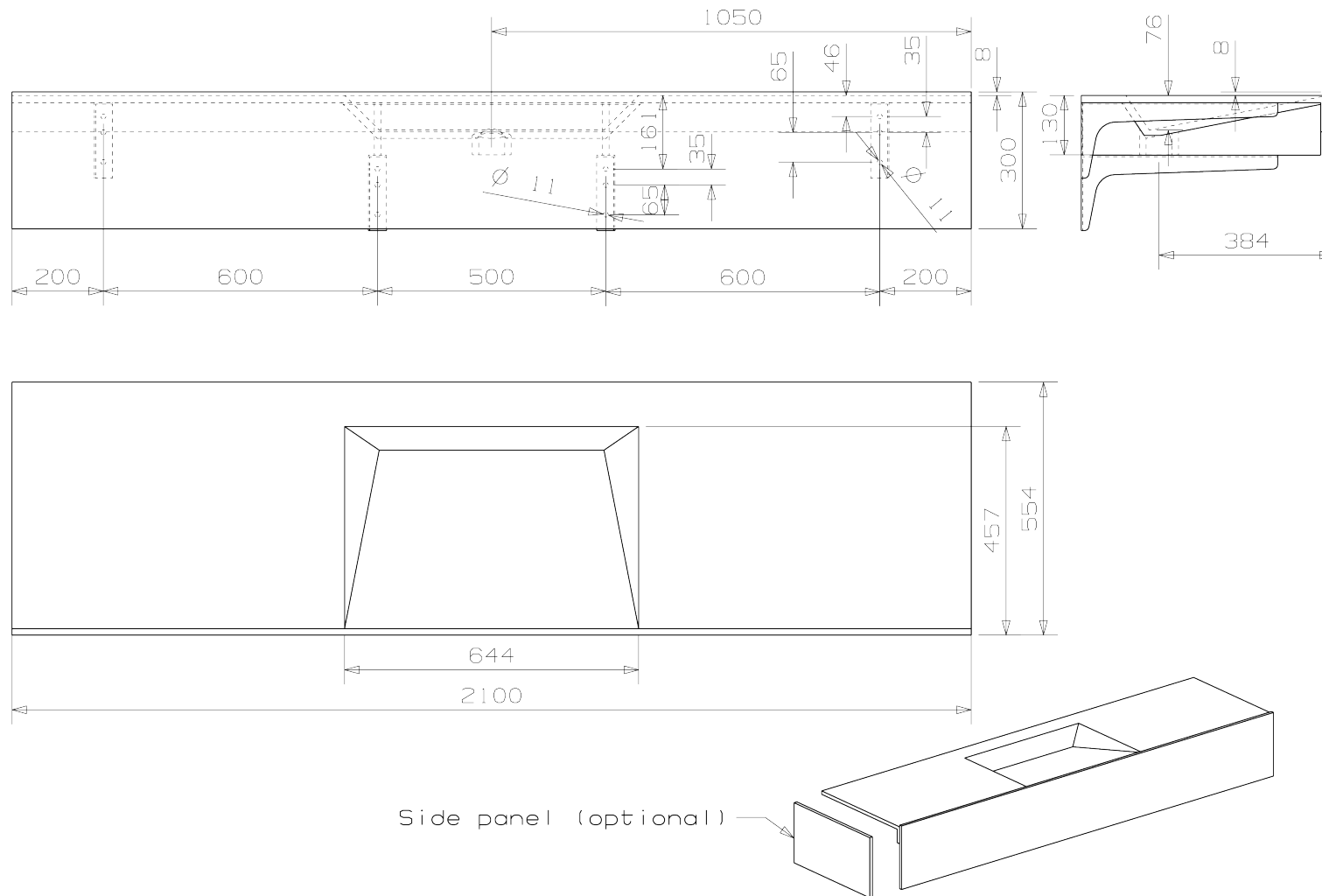


Downtown 210c_1 model L2 3055

468-2106-16



M 1:10

www.eumardesign.com