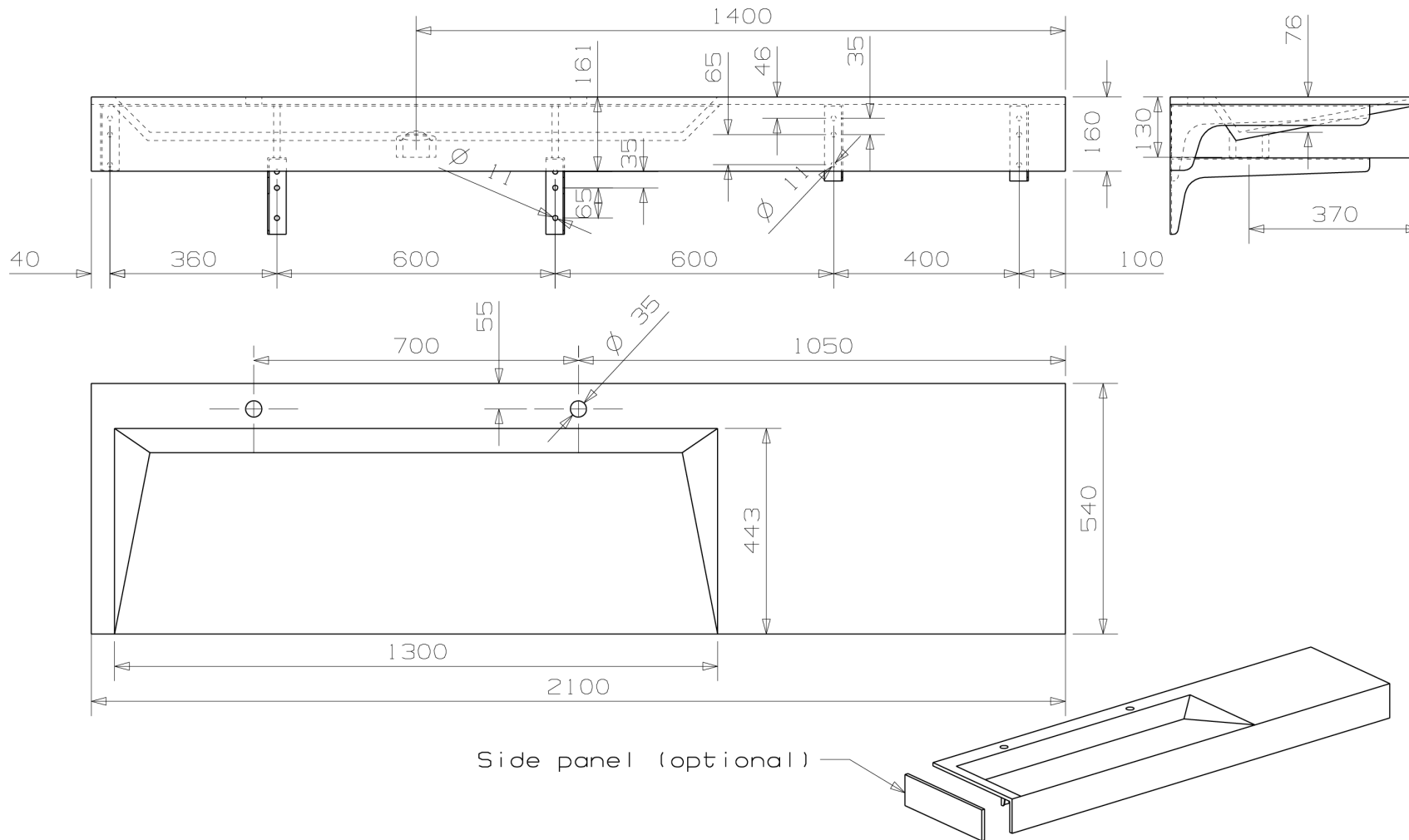


# Downtown 210I\_2 model L1 1654

468-2113-41



M 1:10

[www.eumardesign.com](http://www.eumardesign.com)