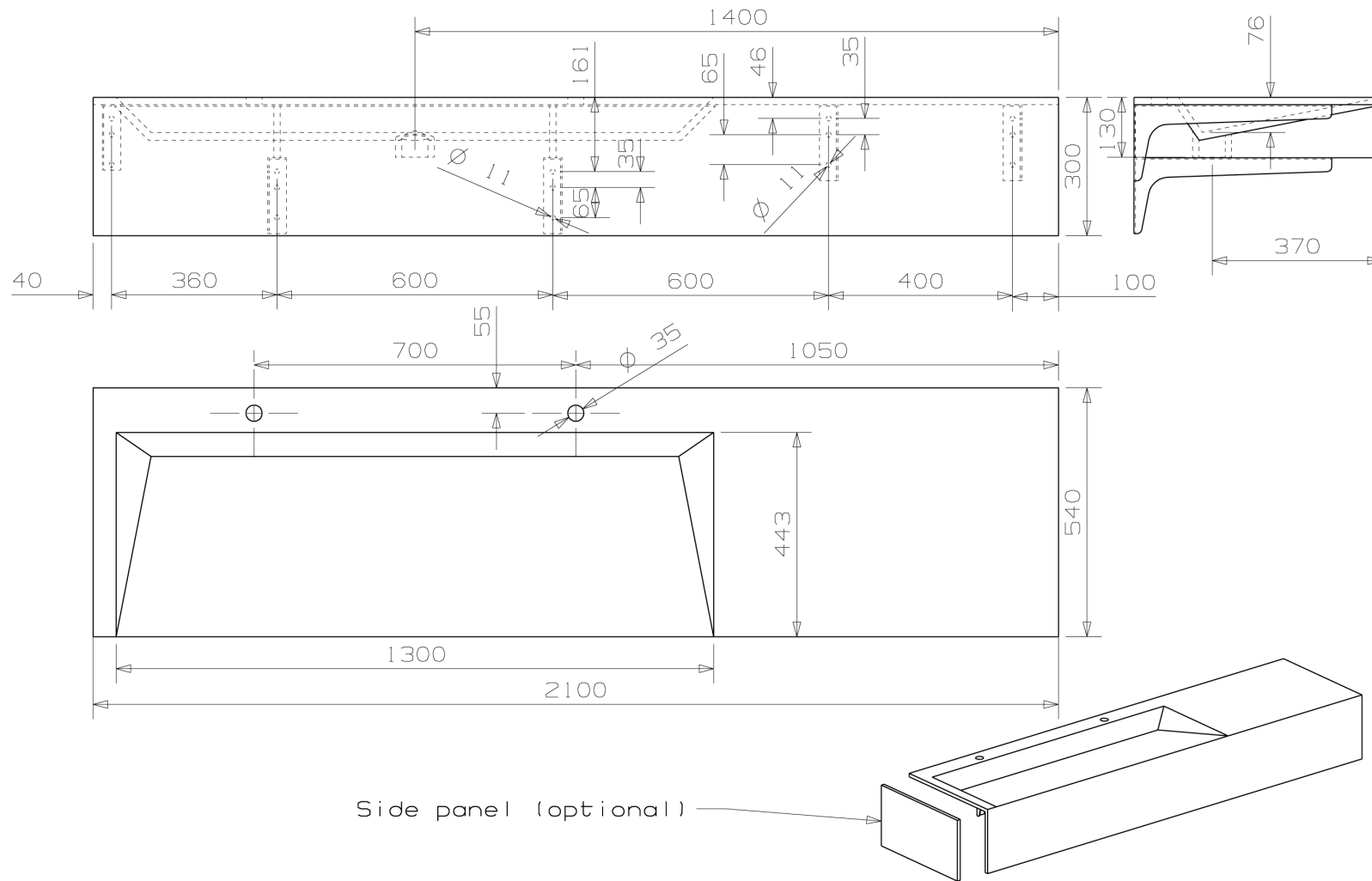


Downtown 210I_2 model L1 3054

468-2113-40



M 1:10

www.eumardesign.com