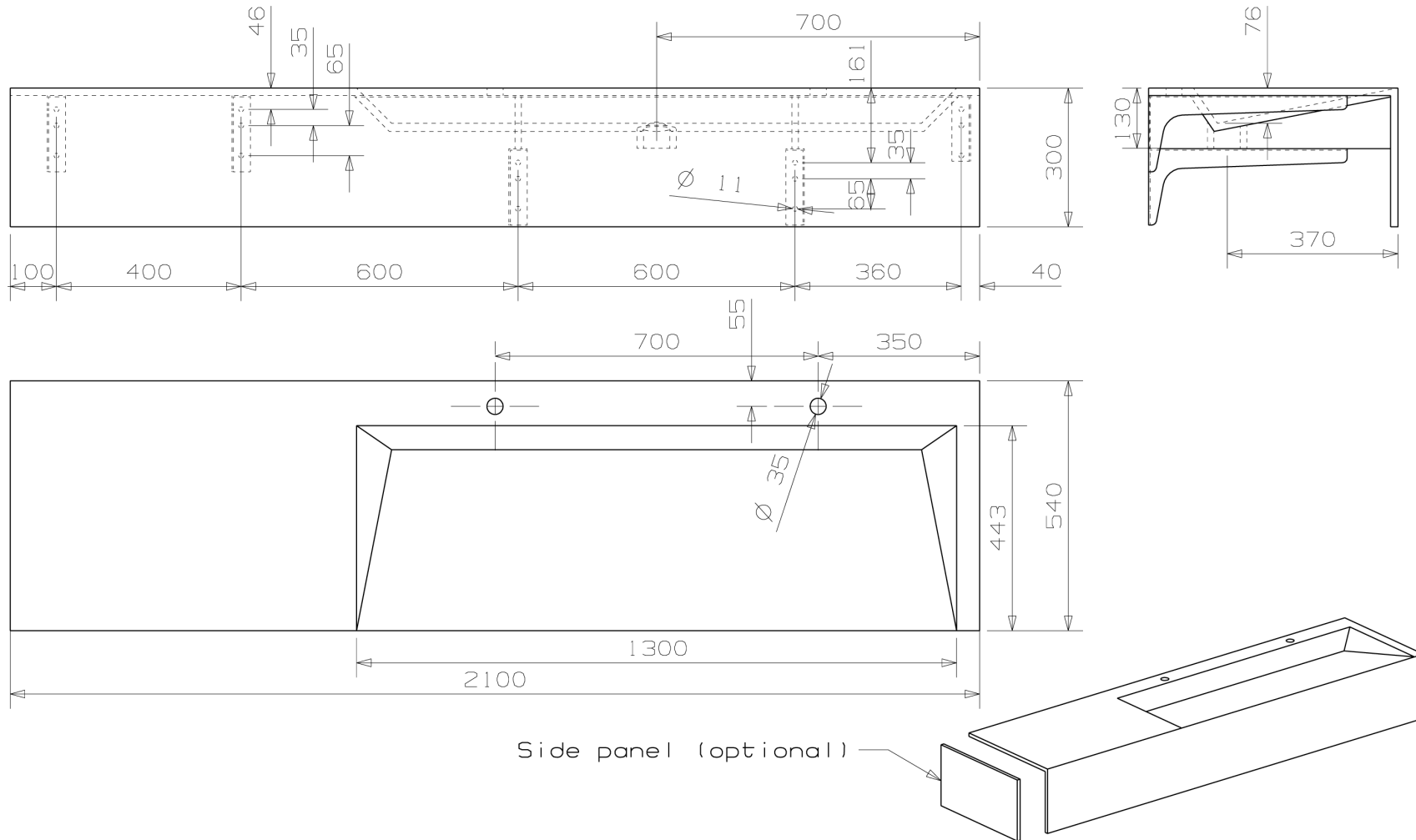


downtown 210r_2 model L1 3054

468-2113-70



M 1:10

www.eumardesign.com