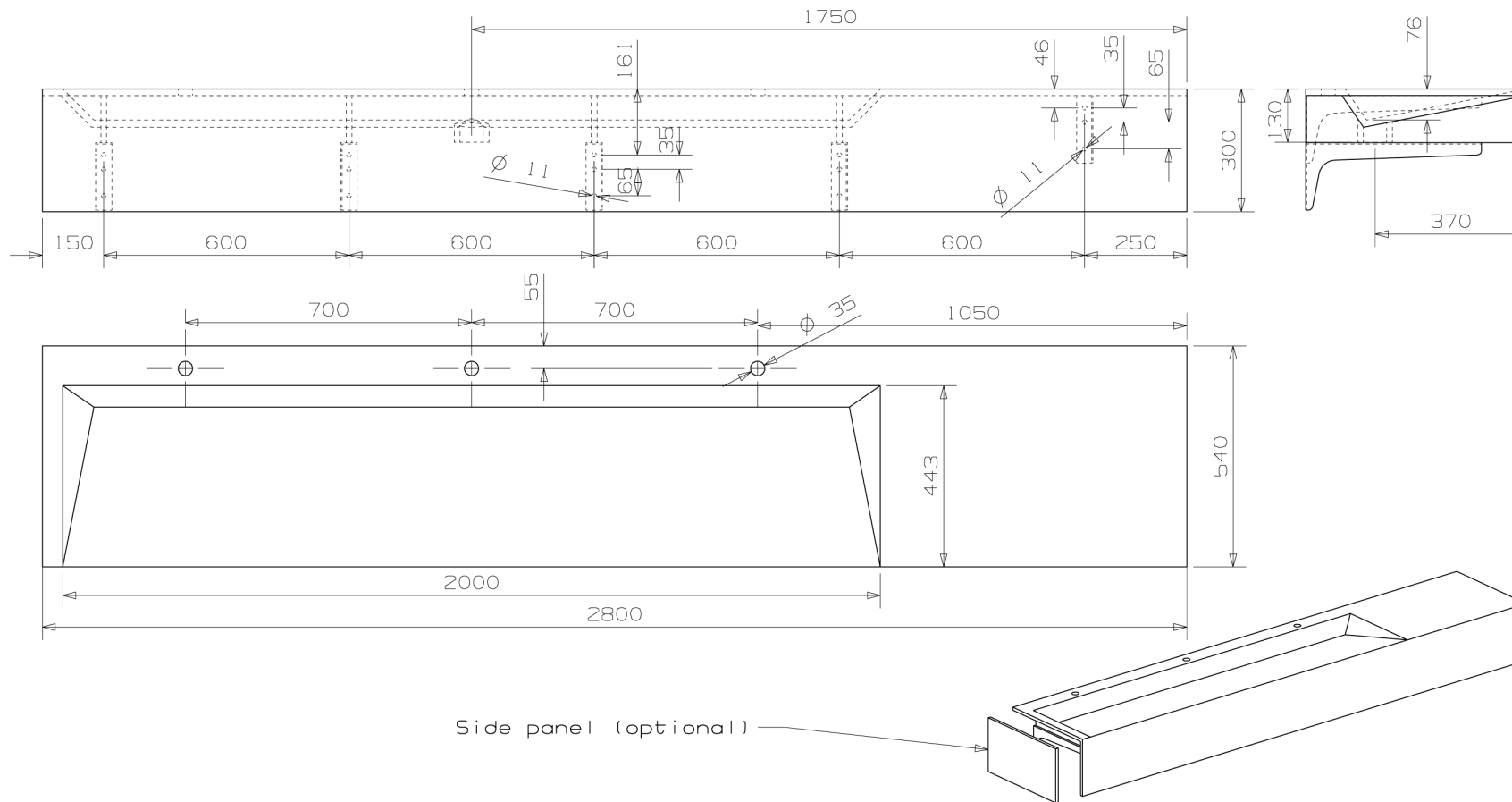


# downtown 280l\_3 model L1 3054

468-2820-40



M 1:10

[www.eumardesign.com](http://www.eumardesign.com)