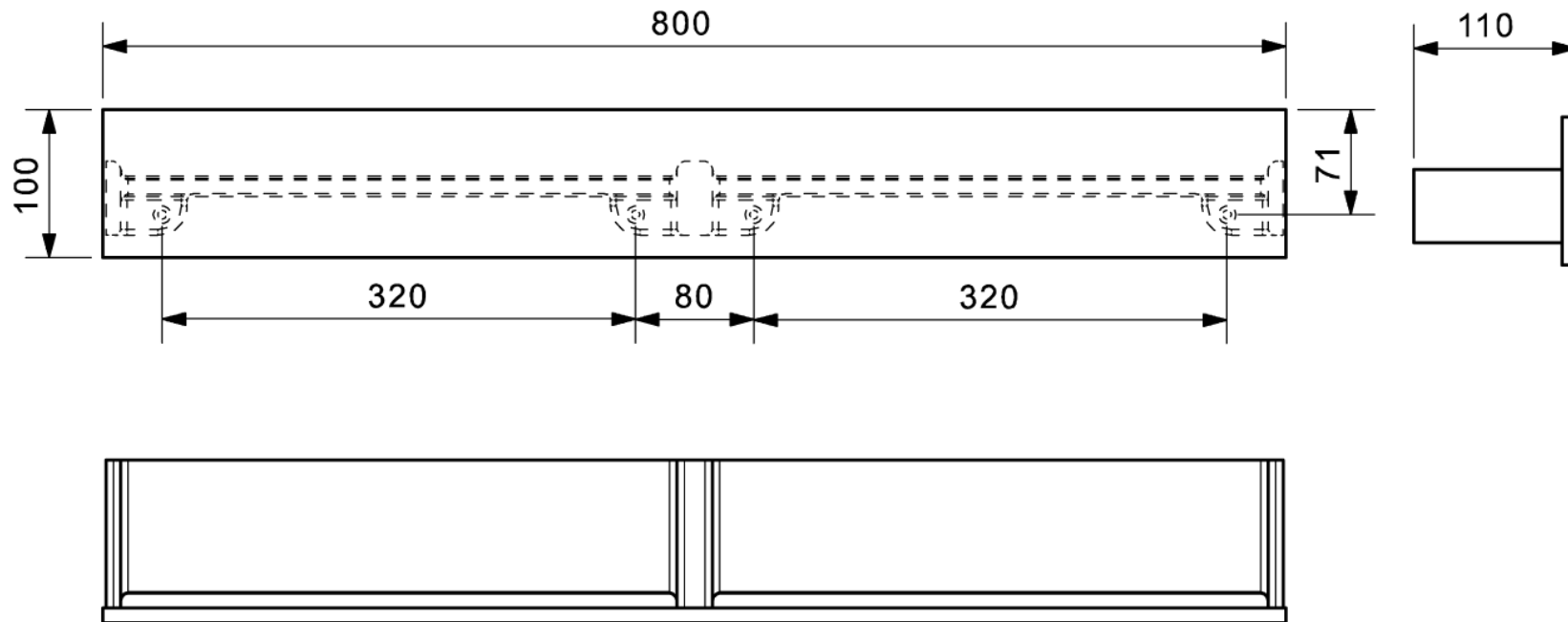


T-Line double shelf 80

910-0801-01



M 1:10

www.eumardesign.com