

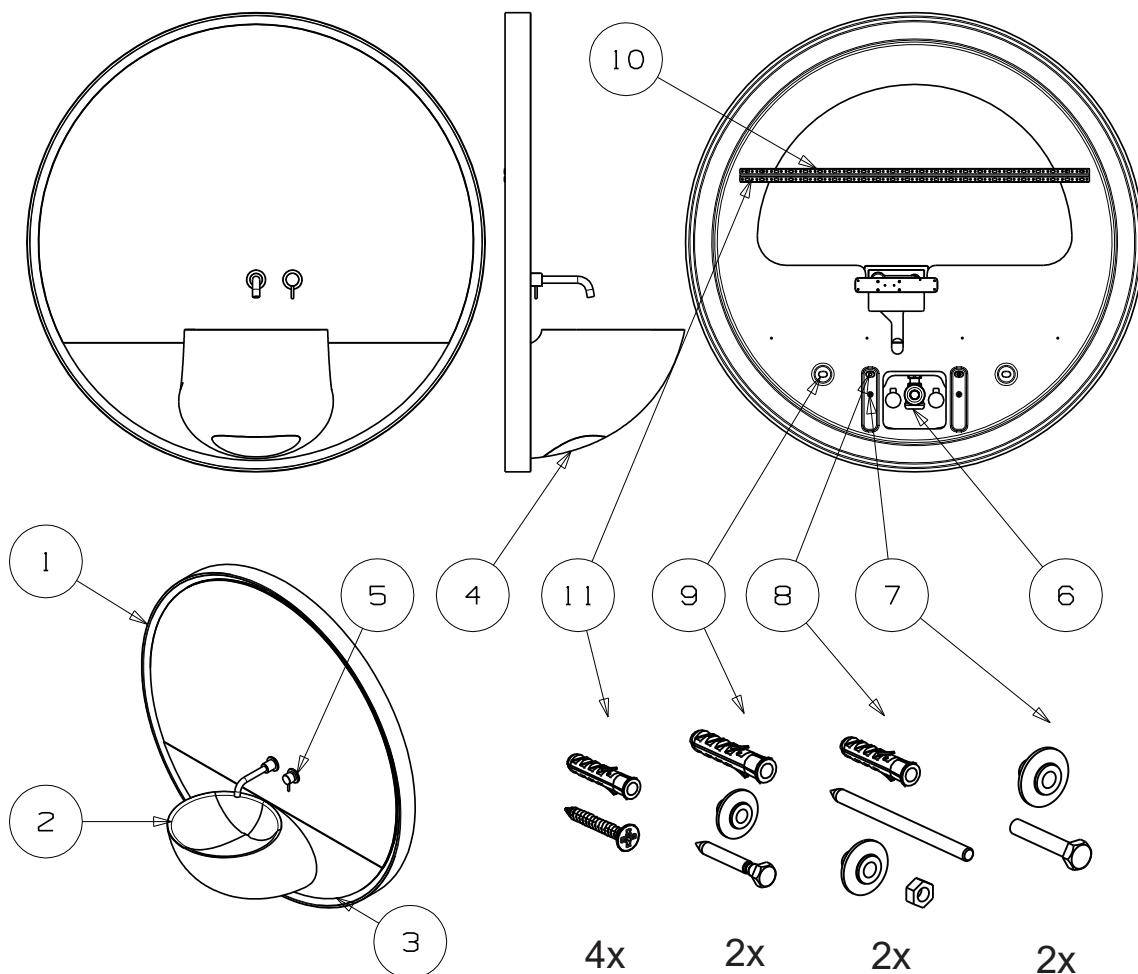
## Portal Washbasin installation manual

This document is an installation and connection manual for the Portal product manufactured by Eumar. Follow the guidelines in this document to install the product correctly.

**NB! Please note that some steps for installing and connecting the product can only be performed by authorized and specially trained qualified personnel!**

### Portal washbasin set include:

1. Portal Mirror frame - 1pc
2. Portal washbasin – 1pc
3. Portal washbasin back wall – 1 pc
4. Portal washbasin service hatch – 1pc
5. Faucet with hoses – 1pc
6. Bottle trap – 1pc
7. Fixing set for washbasin back panel – 2pcs
8. Fixing set for washbasin – 2pcs
9. Fixing set for mirror frame – 2pcs
10. Fixing strap for mirror frame – 1pc
11. Fixing set for mirror frame fixing strap – 4pcs



## Installation instructions

1. Mark the product fixing points on the wall according to the drawings. Drill the required number of holes, insert necessary dowels (Fig.2)
2. Fix the top mounting strap (Fig.3)
3. Slide the product closer to the wall at 20-25cm, insert the power cable into the opening intended for it. Hang the product on the bracket. Check that the power cable and water hoses are not pinched anywhere (Fig.4).
4. Screw in the mirror frame fixing bolts. Fix the product.

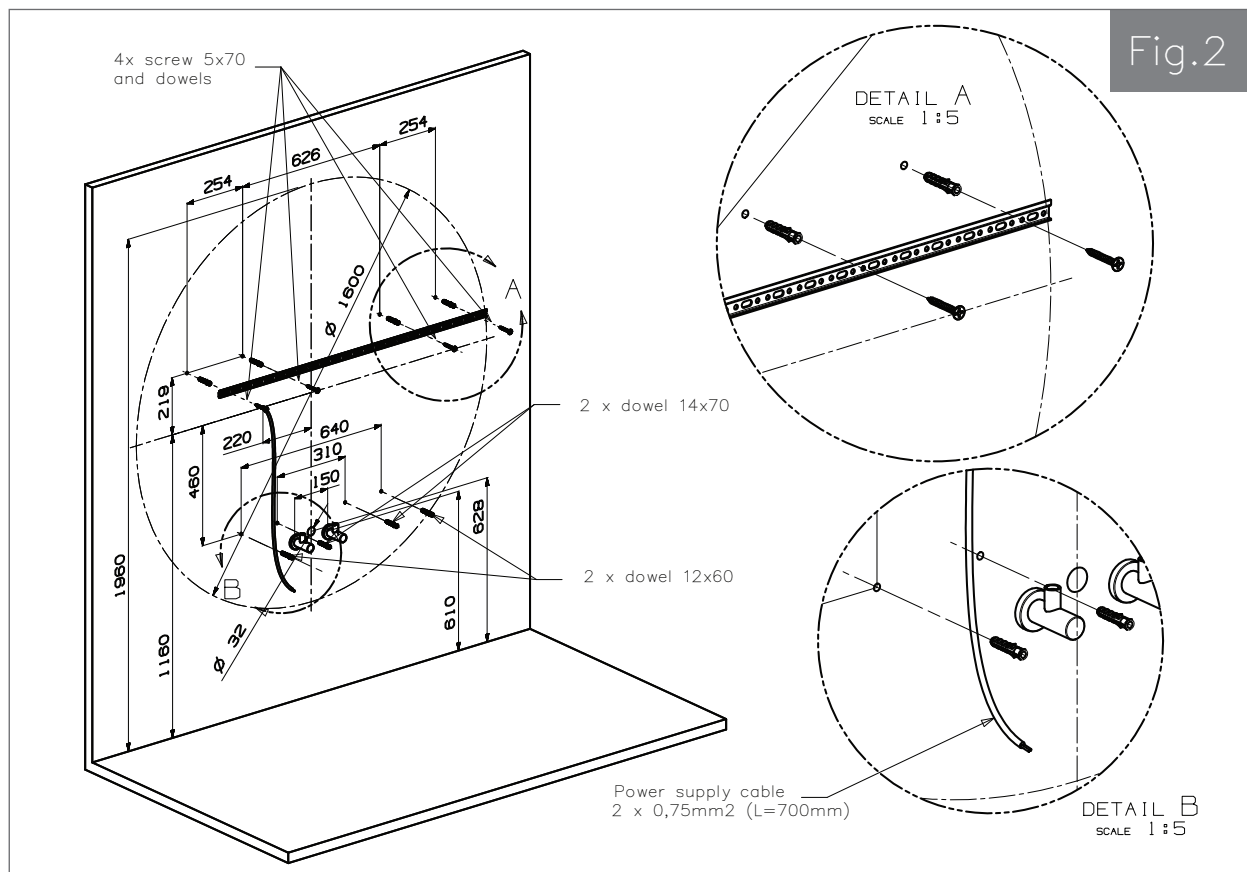


Fig.3

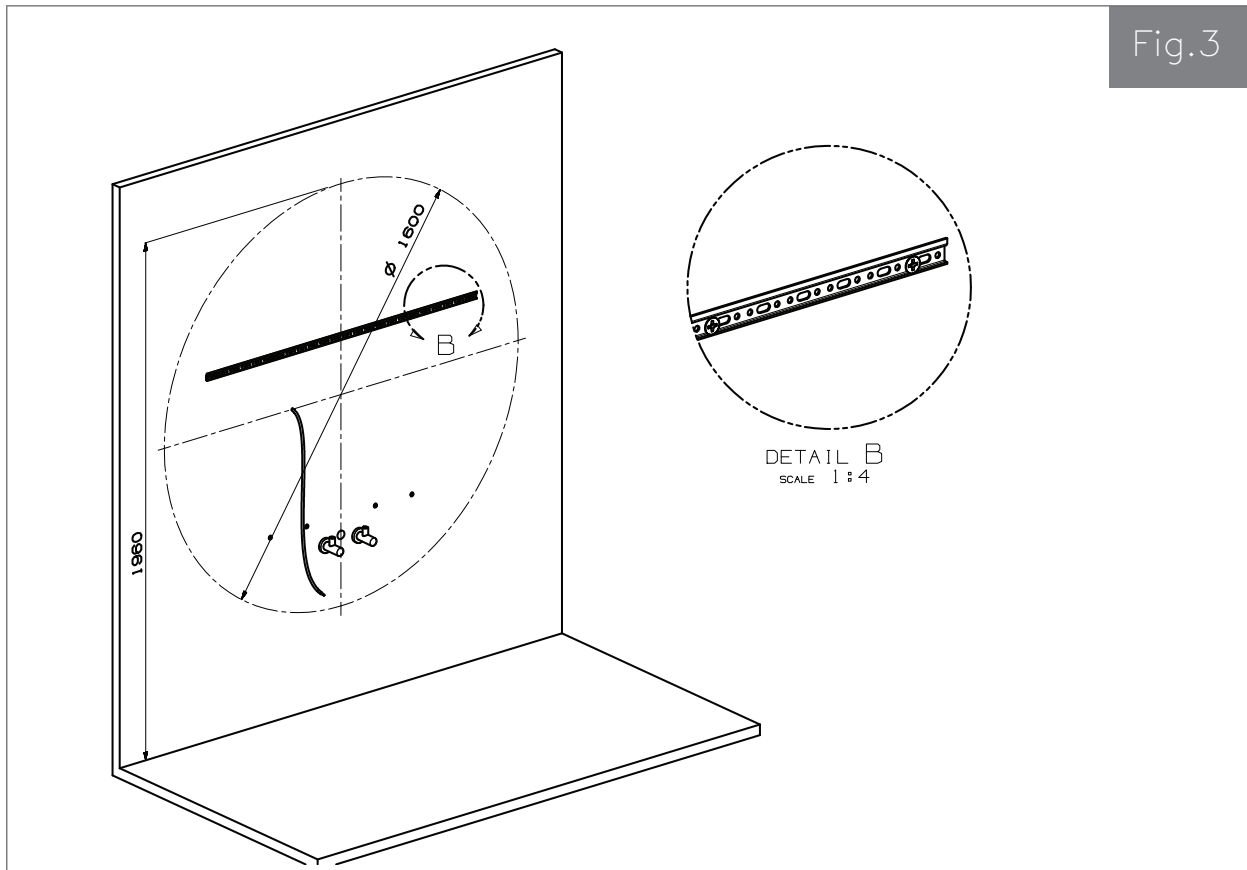


Fig.4

