

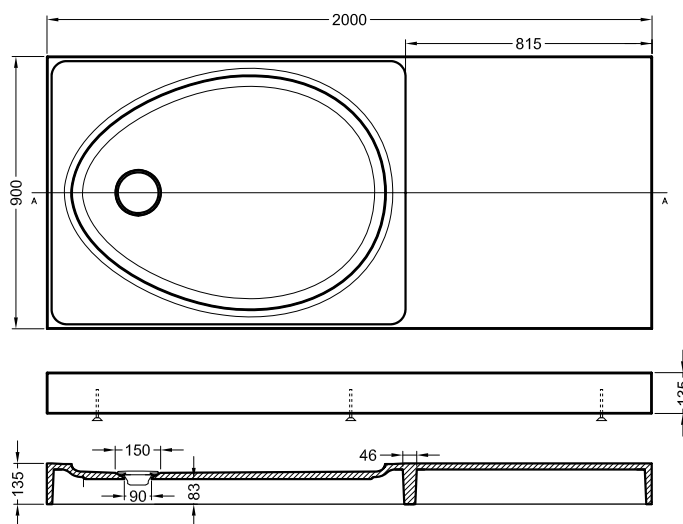
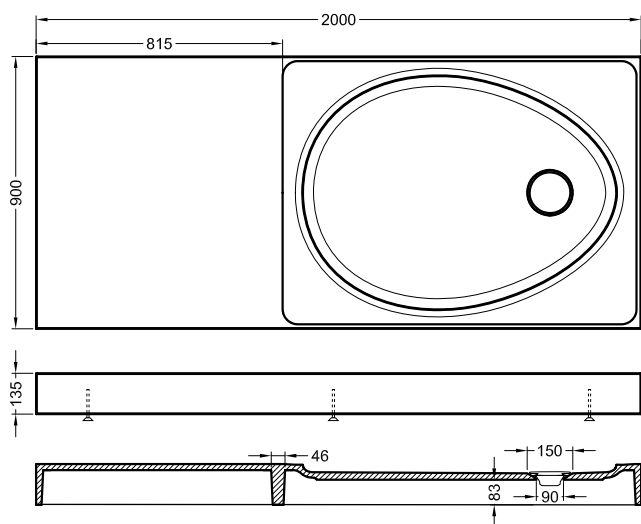
ovo

SPA

Assembly instruction

Shower OVO 2.0
product code:

2000 x 900
476-220L-S01 Left
476-220R-S01 Right



eumar[®]
a q u a g e n i u s

Please note that although these instructions are comprehensive we always recommend that a technically competent installer undertakes the installation.

- **WARNING!** Your shower tray may be heavy and to avoid injury should always be considered a two person lift.
- When handling your shower tray take care not to damage the bottom edges and when installing take particular care to protect the visible surfaces from impact damage or abrasions.
- Check that the shower tray is the colour, size, shape and type you require.
- Unpack and check for damage. Do not install if not satisfied and contact your local supplier.
- When considering your installation method, you should be able to attach or repair your waste or waste outlet.

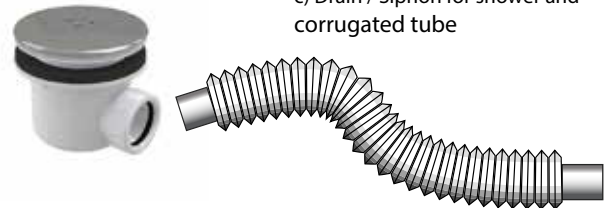
OVO shower set is includes



a) Ovo Shower



b) Plinth adjusting fittings Set with screw on bracket

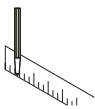


c) Drain / Siphon for shower and corrugated tube



d) Cleaning Sponge

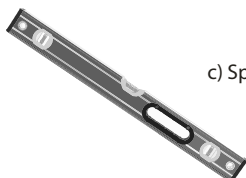
Additionally you will need:



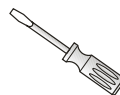
a) Ruler and apencil



b) Wrench no .17



c) Spirit level



d) Screwdriver with cross nozzle

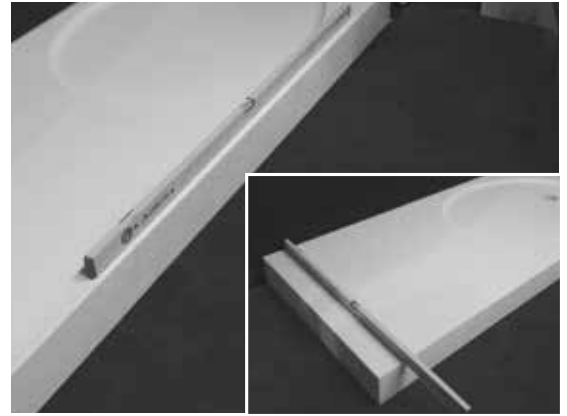


e)Other tools needed for plumbing and installation of washbasin



Step 1

Adjust the length of the corner legs to the same height but 8-10 mm longer than the height of the shower tray. Install the waste/siphon with a corrugated tube.



Step 2

Set the shower tray by adjustable legs with the level in horizontal position (in the lengthwise and transverse).



Step 3

Use a 2m rail and a ruler to measure of height for adjusting the rear-middle leg (next to the back wall)



Step 4

Adjust required height of the rear middle leg (next to the back wall). It should be set on the floor as well as corner legs.



Step 5

Install the shower tray on the place on and check again by level.
Adjust the middle front leg using a wrench 17 mm.



Step 6

Connect the waste/siphon with a drainage system.