

eumardesign





















Vigo shower tray



Installation Instruction

PRODUCT DATA

VIGO SHOWER TYPES


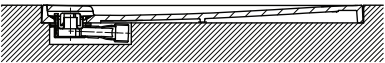
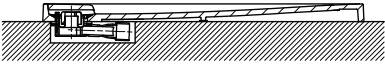
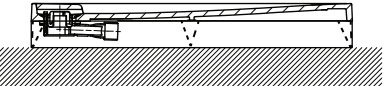
 <p>Vigo shower 100x80 stone 886-1008-00</p>	 <p>Vigo shower 100x90 stone 886-1009-00</p>	 <p>Vigo shower 100x100 stone 886-1010-00</p>	 <p>Vigo shower 110x80 stone 886-1108-00</p>	 <p>Vigo shower 110x90 stone 886-1109-01</p>
 <p>Vigo shower 110x100 stone 886-1110-00</p>	 <p>Vigo shower 120x80 stone 886-1208-00</p>	 <p>Vigo shower 120x90 stone 886-1209-00</p>	 <p>Vigo shower 120x100 stone 886-1210-00</p>	 <p>Vigo shower 130x80 stone 886-1308-00</p>
 <p>Vigo shower 130x90 stone 886-1309-00</p>	 <p>Vigo shower 130x100 stone 886-1310-00</p>	 <p>Vigo shower 140x80 stone 886-1408-00</p>	 <p>Vigo shower 140x90 stone 886-1409-00</p>	 <p>Vigo shower 140x100 stone 886-1410-00</p>
 <p>Vigo shower 150x80 stone 886-1508-00</p>	 <p>Vigo shower 150x90 stone 886-1509-00</p>	 <p>Vigo shower 150x100 stone 886-1510-00</p>	 <p>Vigo shower 160x80 stone 886-131-00</p>	 <p>Vigo shower 160x90 stone 886-1609-00</p>

PRODUCT DATA

VIGO SHOWER TYPES

 <p>Vigo shower 160x100 stone 886-1610-00</p>	 <p>Vigo shower 170x80 stone 886-1708-00</p>	 <p>Vigo shower 170x90 stone 886-1709-00</p>	 <p>Vigo shower 170x100 stone 886-1710-00</p>	 <p>Vigo shower 180x80 stone 886-1808-00</p>
 <p>Vigo shower 180x90 stone 886-1809-00</p>	 <p>Vigo shower 180x100 stone 886-1810-01</p>	 <p>MATERIALS CARE INSTRUCTION</p>  <p>VIGO SHOWER SERIES</p>		

VIGO SHOWER INSTALLATION TYPES

<p>at floor level (recessed installation, suitable for handicapped people)</p>		
<p>on the floor</p>		
<p>with step to floor (on legs, with or without panels, easy plumb fitting)</p>		

INSTALLATION INFORMATION

IMPORTANT INFORMATION

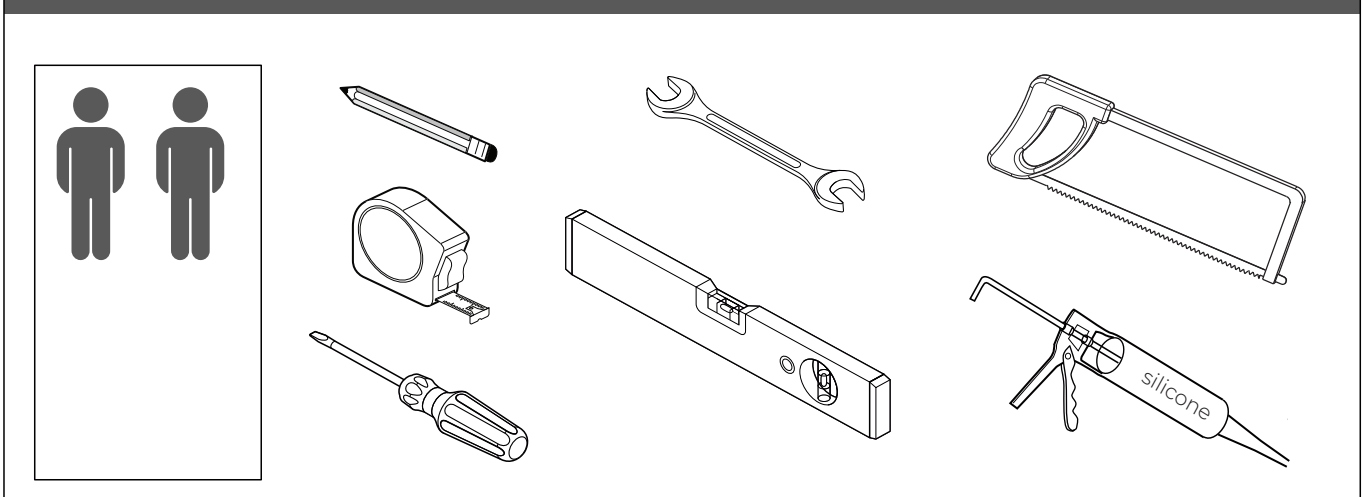
- Please read this instructions carefully before installing your shower tray.
- This manual contains the latest product information available at the moment it was printed.
- Eumar reserve the right to modify product specifications, packaging or availability at any time without notice.
- Eumar reserves the right to make any changes to the design of the product, without notice.
- The illustration may not fully correspond to the product you purchased.
- Follow the guidelines in this document to install the product correctly.
- Eumar is not responsible for installation problems caused by failure to follow the instructions given in this manual.

NB! Please note that some steps for installing and connecting the product can only be performed by authorized and specially trained qualified personnel!

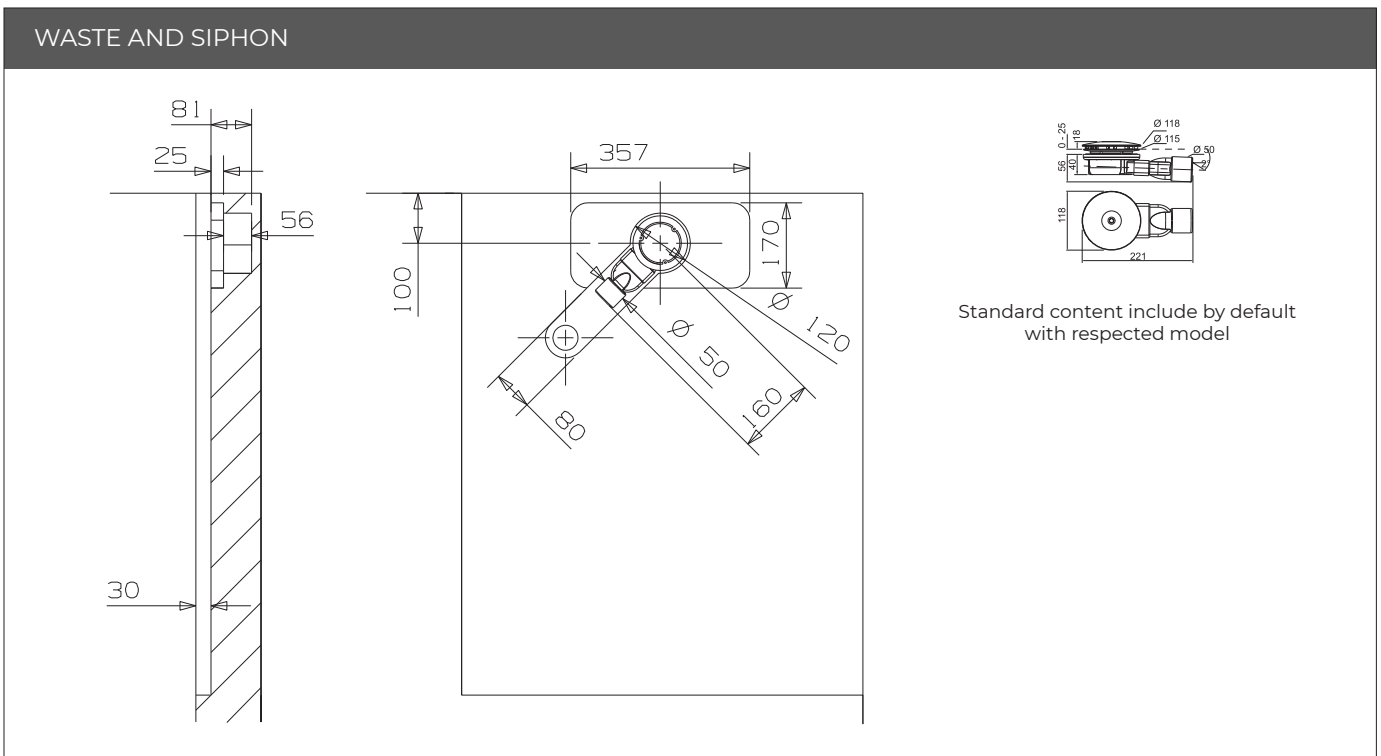
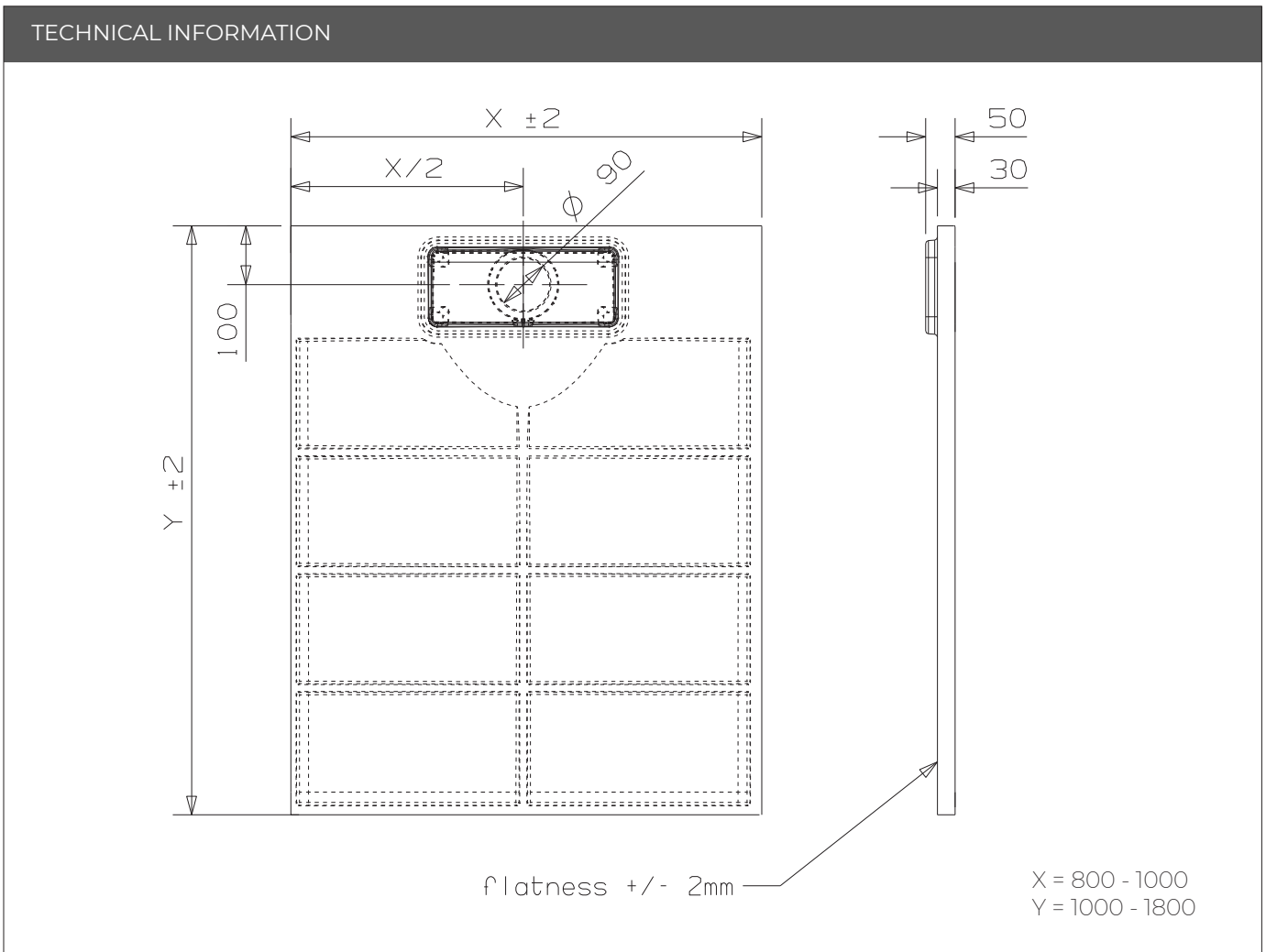
INSTALLATION INFORMATION

- The shower tray must not be installed outdoors.
- Make sure you have all the tools and materials needed for installation.
- It is recommended to wear safety glasses at all times during the installation.
- Gloves should be worn during installation to prevent crushing and cutting injuries.
- The shower tray must be installed perfectly levelled on a finished floor that is also perfectly levelled.
- According to the water and room temperature, the CreaCore ® may expand; it is recommended to set the shower tray in position using a flexible material such as silicone to avoid damaging the product or its installation.
- If the shower tray is sealed toward the floor, need to leave one small opening in sealing to be able to detect water leaks.
- After installing the shower tray, the installer must perform a leakage test.
- Before installing, take the shower tray out of the packaging and make sure it is in good condition. If there is a problem, report it immediately to the seller.
- Prior to install the shower tray, flooring and plumbing work must be completed in accordance with instructions and local regulations.
- Clean surfaces with a soft wet cloth before applying any caulking.
- **DO NOT** use abrasive cleaning agents on any type of product surfaces.

REQUIRED FOR INSTALLATION

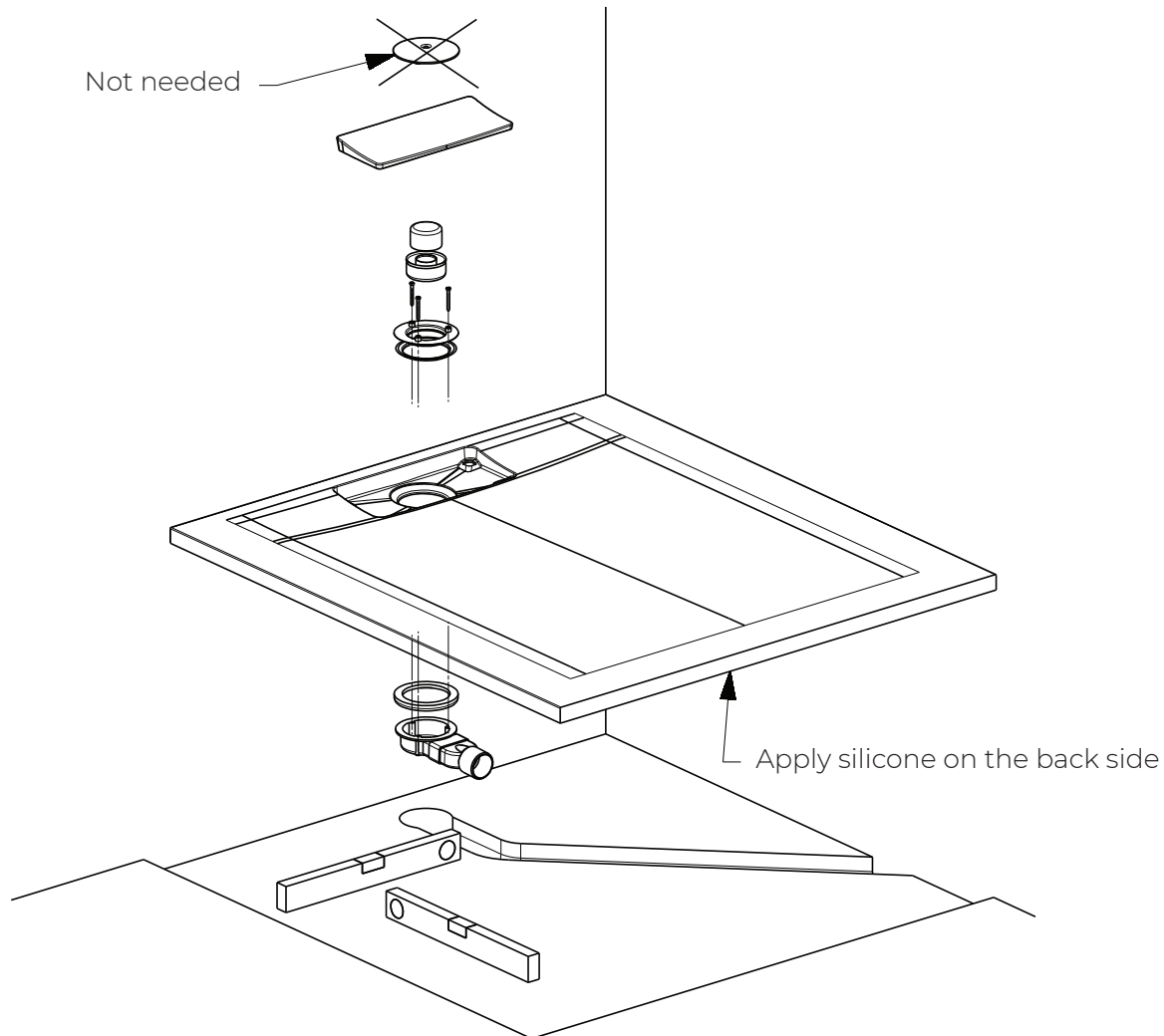


TECHNICAL INFORMATION



INSTALLATION MANUAL

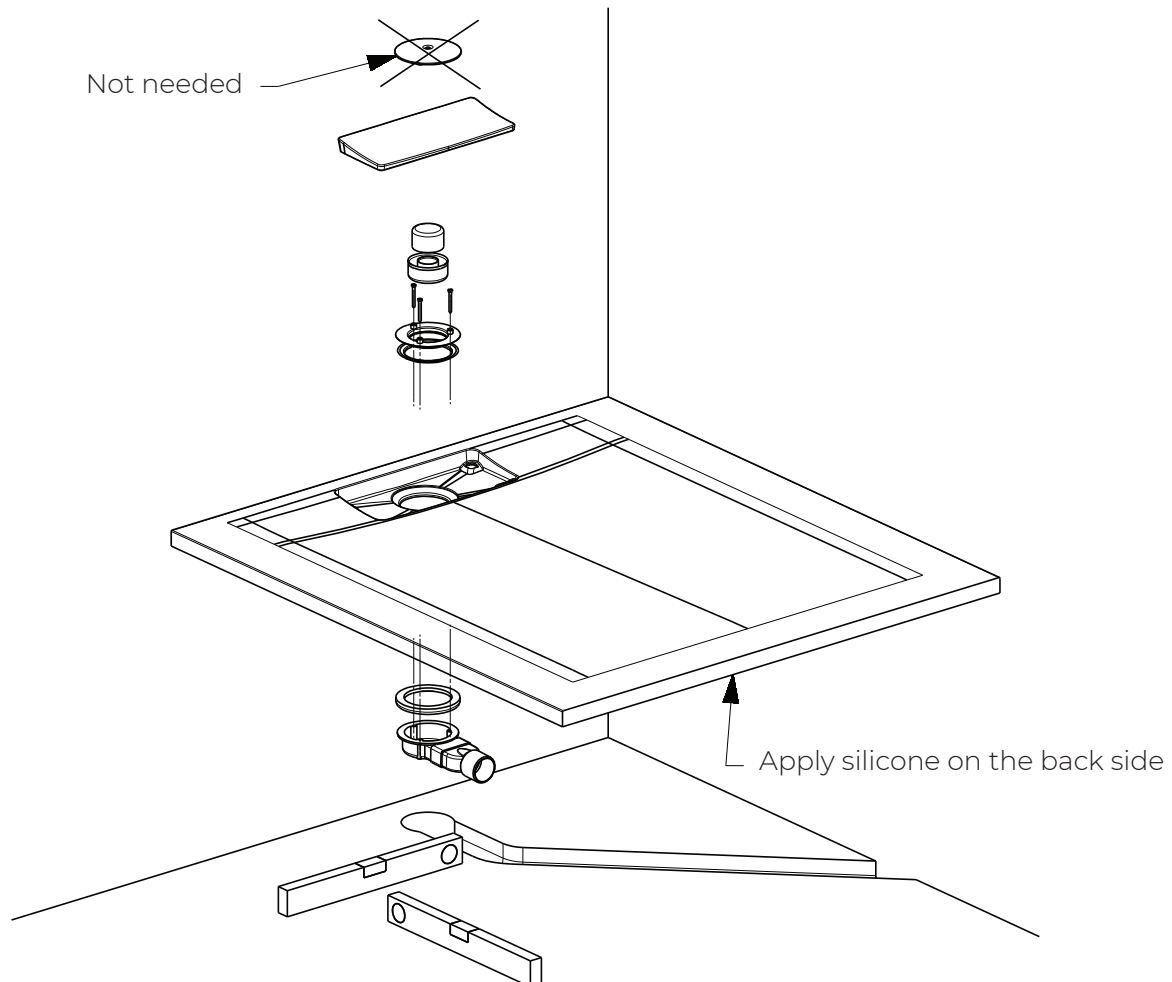
AT FLOOR LEVEL INSTALLATION



1. Place the shower tray in position on the floor (ensuring surface is level) and mark the perimeter, drain and trap.
2. Prepare the recess in the floor according to the dimensions of the shower tray.
3. Prepare a cutout in the floor for the drainpipes, considering the location of the drain for the shower tray (the location of the drain is also shown on the drawing).
4. Remove all packaging from the shower tray including the thin protective film and inspect for defects.
5. Install the lower part of the shower tray siphon and the drainpipe into the prepared recesses, fix them.
6. Apply a layer of silicone to the underside of the shower tray and then install the tray.
7. Check the correct level of the shower tray using the level tool.
8. Once the tray is in position, the rest of the waste trap can be fitted. Do not install siphon drain cover from siphon set. In this model shower tray have own drain cover.
9. Seal the side seams with silicone around the shower tray.
10. Do not use shower tray for 24H.

INSTALLATION MANUAL

ON THE FLOOR INSTALLATION

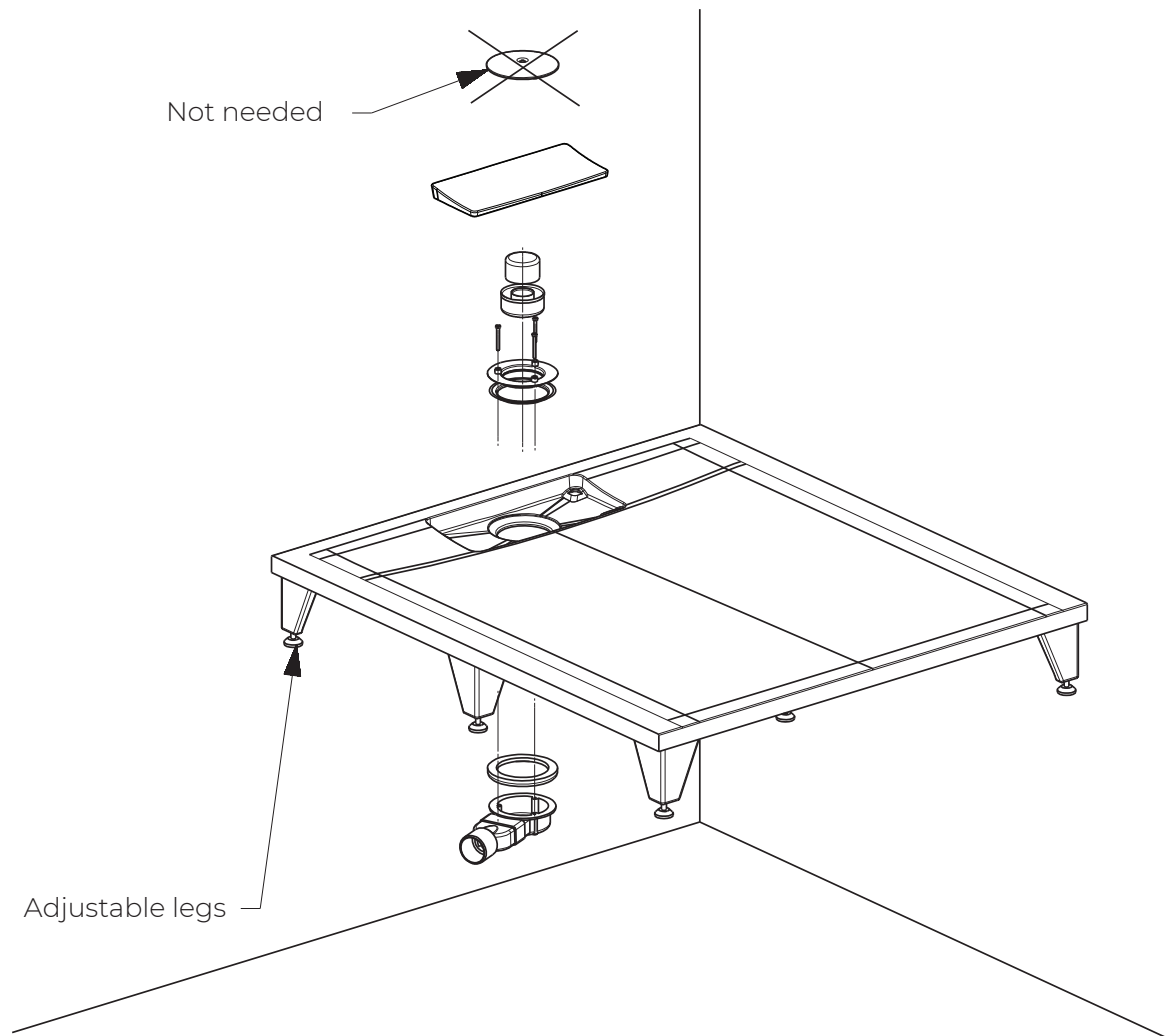


1. Place the shower tray in position on the floor (ensuring surface is level) and mark the perimeter, drain and trap.
2. Prepare a cutout in the floor for the drainpipes, considering the location of the drain for the shower tray (the location of the drain is also shown on the drawing).
3. Remove all packaging from the shower tray including the thin protective film and inspect for defects.
4. Install the lower part of the shower tray siphon and the drainpipe into the prepared recesses, fix them.
5. Apply a layer of silicone to the underside of the shower tray and then install the tray.
6. Check the correct level of the shower tray using the level tool.
7. Once the tray is in position, the rest of the waste trap can be fitted. Do not install siphon drain cover from siphon set.
In this model shower tray have own drain cover.
8. Seal the side seams with silicone around the shower tray.
9. Do not use shower tray for 24H.

INSTALLATION MANUAL

WITH STEP TO FLOOR INSTALLATION

sheet 1

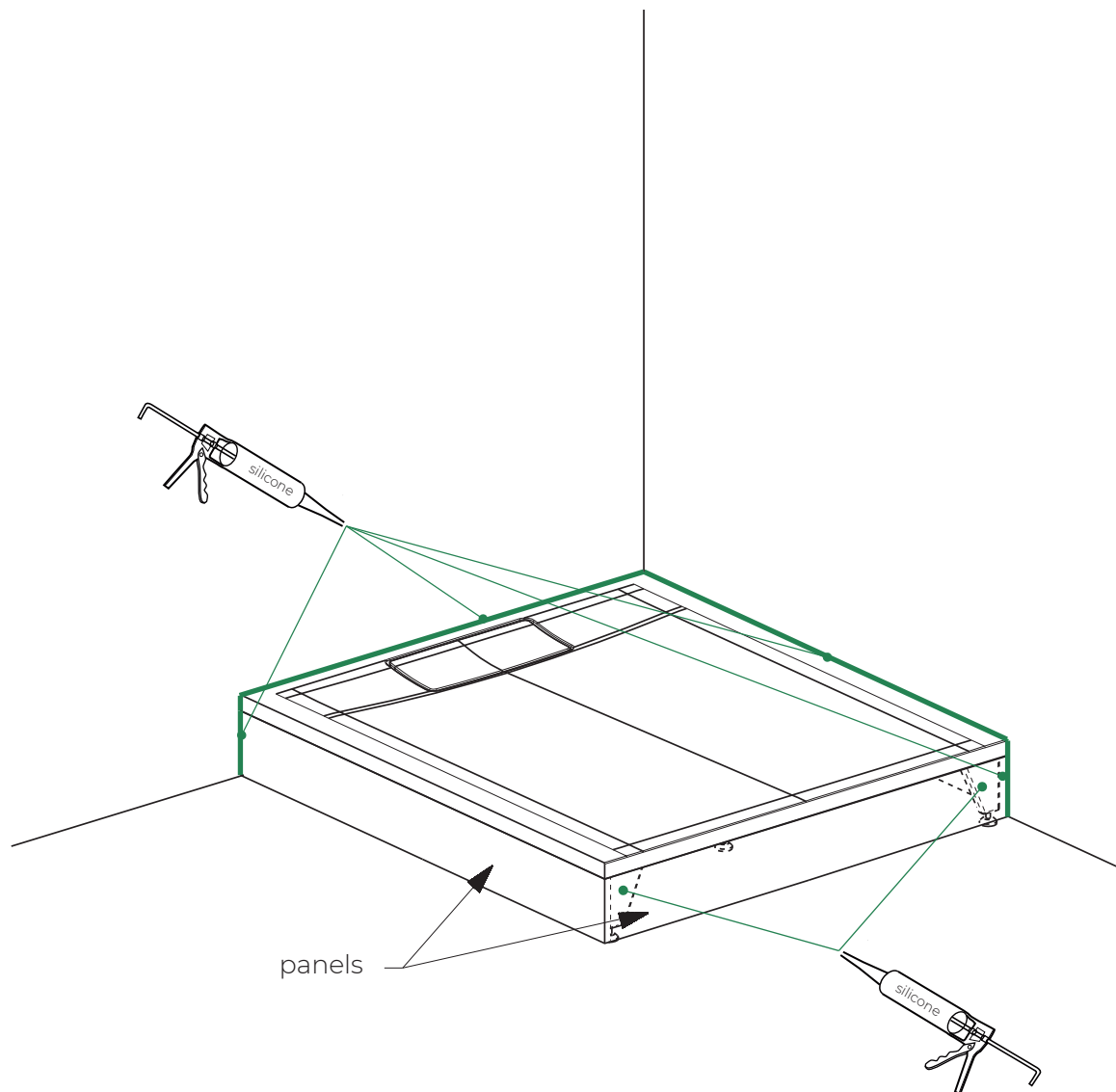


1. Remove all packaging from the shower tray including the thin protective film and inspect for defects.
2. Install the of the shower tray siphon. Do not install siphon drain cover from siphon set. In this model shower tray have own drain cover.
3. Place the shower tray in position on the floor. Check exactly where you need to install the pipes for draining.
4. Use adjustable legs, wrench and level tool to set the correct level of the shower tray.
5. Make sure that all of the legs on the shower tray rest on the floor.

INSTALLATION MANUAL

WITH STEP TO FLOOR INSTALLATION

sheet 2



6. Check drain connection for leaks.
7. Install the panels using silicone, which is applied in small areas to the legs.
8. Seal the side seams with silicone around the shower tray.
9. Do not use shower tray for 24H.